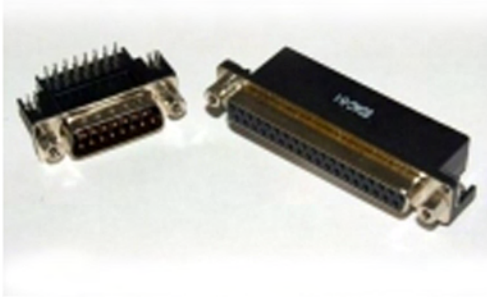




SERIES 625/626



FEATURES

Two contact rows with .590" (14.99mm) footprint right-angle bend.

.109" (2.77mm) contact spacing x .112" (2.82mm) row spacing

Plug and receptacle in 9-, 15-, 25- or 37-pin contacts sizes

Pin and socket contact mating design with PC tail termination

Metal shell provides EMI/RFI shielding, Plug Shell indents provide grounding and additional mating retention

Grounding features include top and bottom ground plates and four-prong boardlock for superior retention to PC Board

Mounting options for panel mount or connector mating include through hole, threaded inserts and threaded standoffs

D-shaped connector mating outline provides polarization
Design based on requirements of MIL-C-24308, EIA RS-232 and RS-449

SPECIFICATIONS

Insulator Material: Thermoplastic polyester UL 94V-0; chemical resistant; colour - black

Contact Material: Plug contacts- brass
Receptacle contacts - phosphor bronze

Contact Plating: Gold (see Ordering Code) over nickel for the mating area; tin plating on contact tails

Shell Material: Nickel-plated steel

Current Rating: 5 amperes

Contact Resistance: 10 milliohms maximum

Dielectric Withstanding Voltage: 1000 V AC rms @ sea level

Insulation Resistance: 5000 megohm minimum

Operating Temperature: -55 to + 105 degrees C

Engagement and Separation Force: 1 to 10 oz (0.28 to 2.78 N) per contact position

Example Part Number **626 - 037 - 562 - 0 4 3**

Series _____
Total Number of Contacts _____
Contact/Plating Code _____
Material Code _____
Grounding Feature _____
Mounting Option _____

Series

625 _____ Plug
626 _____ Receptacle

Total Contacts

009, 015, 025, 037

Contact/Plating Code

Right angle .590" (14.99mm) footprint
262 _____ Gold Flash (Class 3)
562 _____ 10u" (0.25um) (Class 2)
662 _____ 30u" (0.76um) (Class 1)

Material Code

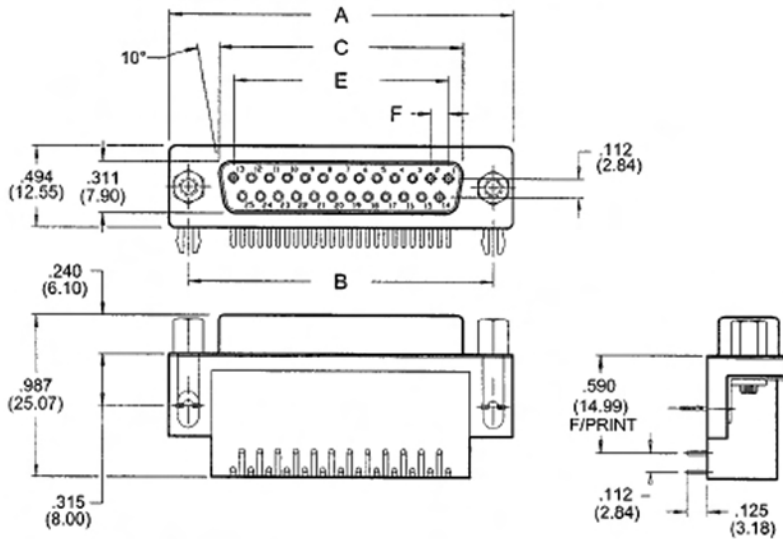
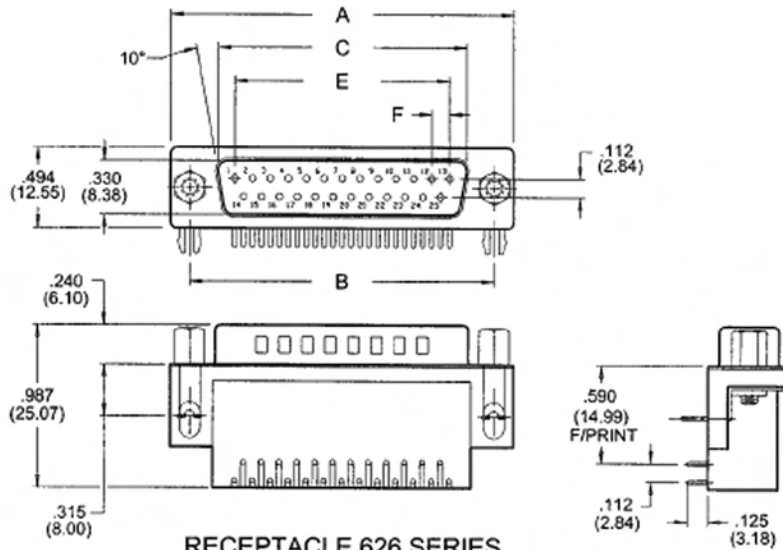
0 _____ Indicates generic internal use code

Grounding Feature

1 _____ .120 " (3.05mm) dia. through-hole top ground
2 _____ .120 " (3.05MM) dia. through-hole bottom ground
3 _____ Two-prong boardlock for .120" (3.05mm) dia. PCB hole
4 _____ Four-prong boardlock for .120" (3.05mm) dia. PCB hole

Mounting Option

0 _____ Fixed hex standoff
1 _____ .125" (3.18mm) dia. through-hole
2 _____ #4-40 UNC threaded insert
3 _____ #4-40 UNC threaded standoff



NUMBER OF CONTACTS	A		B		C PLUG		C RECEPTACLE		E		F	
	Inch	(mm)	Inch	(mm)	Inch	(mm)	Inch	(mm)	Inch	(mm)	Inch	(mm)
9	1.214	(30.84)	.984	(24.99)	.667	(16.92)	.640	(16.26)	.432	(10.97)	.108	(2.74)
15	1.545	(39.24)	1.312	(33.32)	.994	(25.25)	.967	(24.56)	.756	(19.20)	.108	(2.74)
25	2.088	(53.04)	1.852	(47.04)	1.534	(38.96)	1.508	(38.30)	1.304	(33.12)	.109	(2.76)
37	2.730	(69.34)	2.500	(63.50)	2.182	(53.08)	2.156	(54.76)	1.956	(49.68)	.109	(2.76)

Mouser Electronics

Authorized Distributor

Click to View Pricing, Inventory, Delivery & Lifecycle Information:

EDAC:

[625-009-262-042](#) [625-009-262-031](#) [625-009-262-032](#) [625-009-262-033](#) [625-009-262-212](#) [625-015-262-042](#) [625-015-262-032](#) [625-025-262-042](#) [625-025-262-032](#) [625-025-662-042](#) [625-025-662-043](#) [625-037-262-032](#) [626-009-262-033](#) [626-009-262-032](#) [626-015-262-041](#) [626-015-262-042](#) [626-015-262-031](#) [626-015-262-033](#) [626-015-562-043](#) [626-015-562-033](#) [626-025-262-032](#) [626-025-262-033](#) [626-025-662-043](#) [626-037-262-032](#) [626-037-562-012](#) [626-037-662-042](#) [625-009-262-011](#) [625-009-262-012](#) [625-009-262-013](#) [625-015-262-012](#) [625-025-262-012](#) [626-009-262-012](#) [626-009-262-013](#) [626-015-262-012](#) [626-015-262-013](#) [626-025-262-012](#) [626-025-262-013](#) [626-037-262-012](#) [626-037-262-013](#) [626-009-662-032](#)